

# QA77

## 7/16(DIN) to 7/16(DIN)

Features:  
\* Low VSWR

Applications:  
\* Wireless  
\* Transmitter  
\* Laboratory Test  
\* Radar

### Electrical

Frequency: DC~7.5GHz  
VSWR: 1.2 max.  
Impedance: 50Ω

### Mechanical

RF Connectors: 7/16 DIN  
Outer Conductor: Ternary plated brass  
Dielectric: PTFE  
Inner Conductor: Silver plated beryllium copper

### Environmental

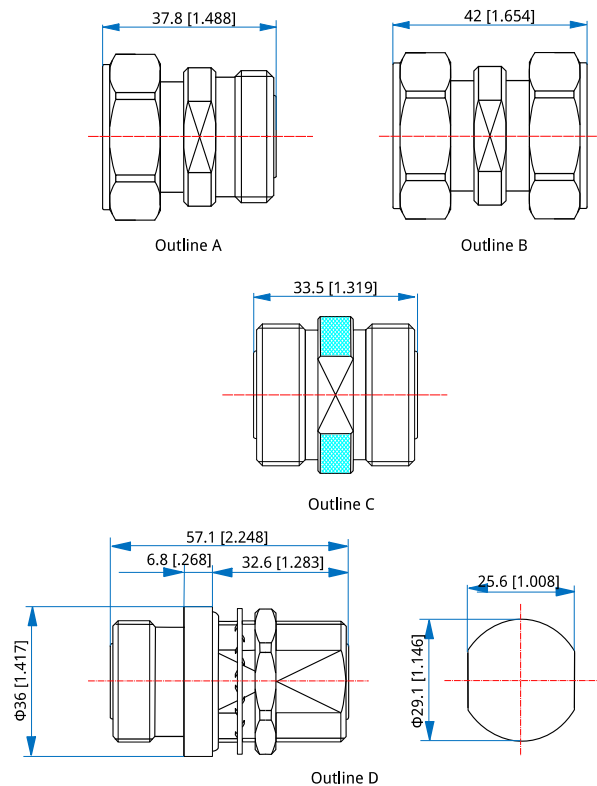
Temperature: -55~+165°C

### How To Order

- QA77-MF** - 7/16 DIN(f) to 7/16 DIN(m), Outline A
- QA77-MM** - 7/16 DIN(m) to 7/16 DIN(m), Outline B
- QA77-FF** - 7/16 DIN(f) to 7/16 DIN(f), Outline C
- QA77H-FF** - 7/16 DIN(f) to 7/16 DIN(f), Outline D

Customization is available upon request.

### Outline Drawings



Unit: mm [in]

Tolerance:  $\pm 0.2$ mm [ $\pm 0.008$ in]